



# Characteristic Outline of Crystal Units

## 石英晶体谐振器特性略图

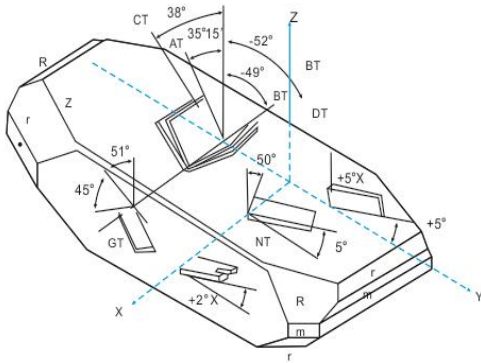
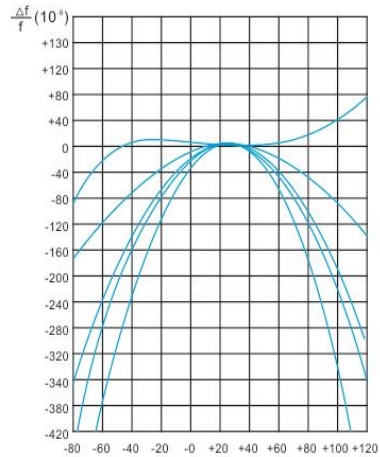
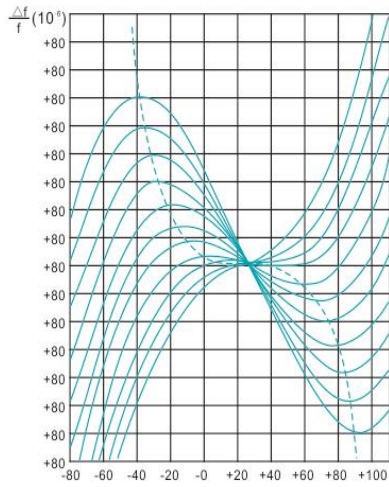


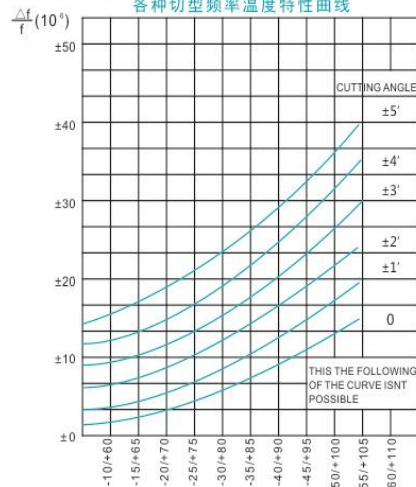
Fig.6, NAME OF CRYSTAL CUTTING  
各切角示意图



TEMPERATURE RANGE  
Fig7. FREQUENCY CURVES BY CUTS  
各种切型频率温度特性曲线



TEMPERATURE RANGE  
Fig3. FREQUENCY CURVES BY CUTS  
AT切型频率温度特性曲线



TEMPERATURE RANGE  
Fig9. MANUFACTURING DIFFICULTY DEGREE  
加工难点程度

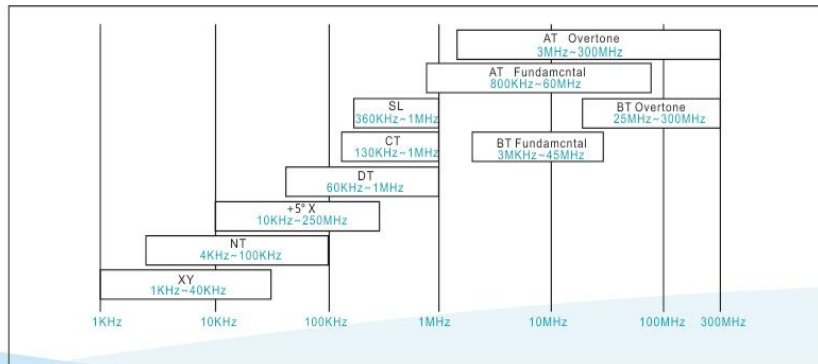


Fig10. FREQUENCY RANGES BY CUT OF CRYSTAL

石英晶体谐振器根据频率范围可选择的切型

除表中所列参数外, 可根据客户要求设计  
We shall design according to customer requests besides these specifications in the table.